



Zubové hydrogenerátory XV-1P Ø32 BH

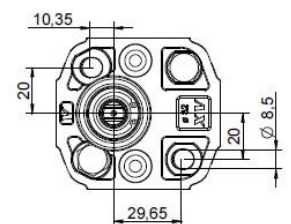
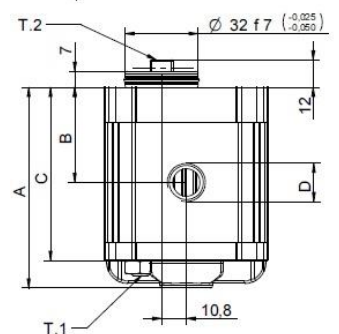
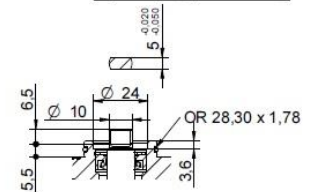
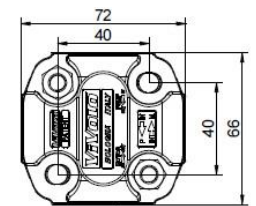
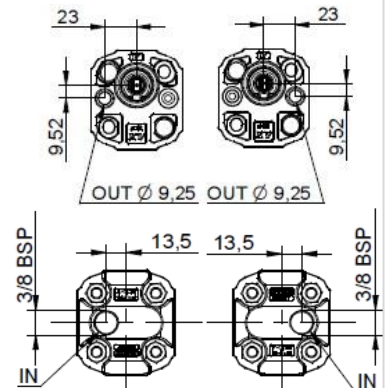
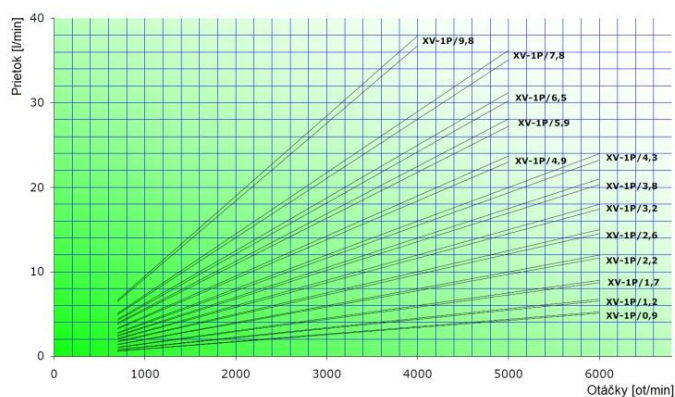
Geometrický objem	0,91 ... 9,888 cm ³ /ot
Max. pracovný tlak	30 MPa
Rozsah otáčok	700 ... 6000 ot/min
Rozsah prac. teplôt	- 20 ÷ 60 °C
Odporúčaná viskozita	20 ... 100 mm ² /s

TECHNICKÉ ÚDAJE

Typ	Objednávacie číslo		Geom. objem [cm ³ /ot]	Tlak Trvalý/Max. [MPa]	Otáčky Min./Max. [ot/min]
	Ľavotočivé 	Pravotočivé 			
XV-1P/0.9	X1P1643DBZB	X1P1644DBZB	0,91	24/28	700 / 6000
XV-1P/1.2	X1P1743DBZB	X1P1744DBZB	1,17	25/29	700 / 6000
XV-1P/1.7	X1P1843DBZB	X1P1844DBZB	1,56	25/29	700 / 6000
XV-1P/2.2	X1P2043DBZB	X1P2044DBZB	2,08	25/29	700 / 6000
XV-1P/2.6	X1P2143DBZB	X1P2144DBZB	2,60	25/30	700 / 6000
XV-1P/3.2	X1P2343DBZB	X1P2344DBZB	3,12	25/30	700 / 6000
XV-1P/3.8	X1P2543DBZB	X1P2544DBZB	3,64	25/30	700 / 6000
XV-1P/4.3	X1P2743DBZB	X1P2744DBZB	4,16	25/30	700 / 6000
XV-1P/4.9	X1P2943DBZB	X1P2944DBZB	4,94	25/30	700 / 6000
XV-1P/5.9	X1P3143DBZB	X1P3144DBZB	5,85	25/30	700 / 5000
XV-1P/6.5	X1P3243DBZB	X1P3244DBZB	6,50	25/30	700 / 5000
XV-1P/7.8	X1P3443DBZB	X1P3444DBZB	7,54	22/26	700 / 5000
XV-1P/9.8	X1P3643DBZB	X1P3644DBZB	9,88	19/23	700 / 4000

ROZMERY

Typ	Hmotnosť [kg]	A [mm]	B [mm]	C [mm]	D	
					Sanie G 3/8"	Výtlak G 3/8"
XV-1P/0.9	0,950	77,1	36,3	65,1	G 3/8"	G 3/8"
XV-1P/1.2	0,970	78,0	36,8	66,0	G 3/8"	G 3/8"
XV-1P/1.7	1,010	79,5	37,5	67,5	G 3/8"	G 3/8"
XV-1P/2.2	1,030	81,5	38,5	69,5	G 3/8"	G 3/8"
XV-1P/2.6	1,060	83,5	39,5	71,5	G 3/8"	G 3/8"
XV-1P/3.2	1,090	85,5	40,5	73,5	G 3/8"	G 3/8"
XV-1P/3.8	1,120	87,5	41,5	75,5	G 3/8"	G 3/8"
XV-1P/4.3	1,170	89,5	42,5	77,5	G 3/8"	G 3/8"
XV-1P/4.9	1,200	92,5	44,0	80,5	G 3/8"	G 3/8"
XV-1P/5.9	1,260	96,0	45,8	84,0	G 3/8"	G 3/8"
XV-1P/6.5	1,300	97,5	47,0	85,5	G 3/8"	G 3/8"
XV-1P/7.8	1,360	102,5	49,0	90,5	G 3/8"	G 3/8"
XV-1P/9.8	1,500	111,5	53,5	99,5	G 3/8"	G 3/8"



- podrobnejšie údaje sú uvedené v katalógu č. 14/07/2009.